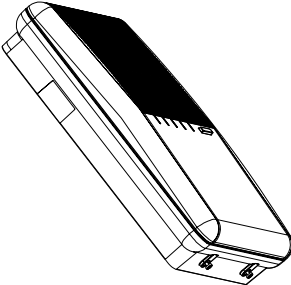
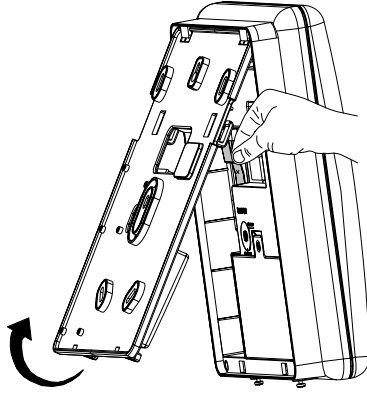


Modem Installation

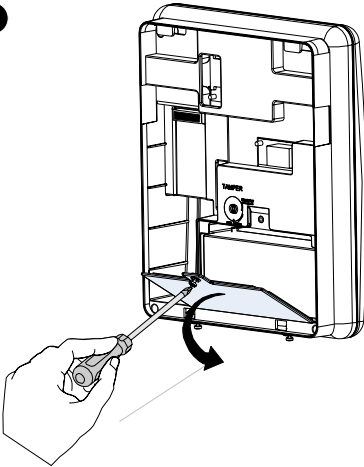
1



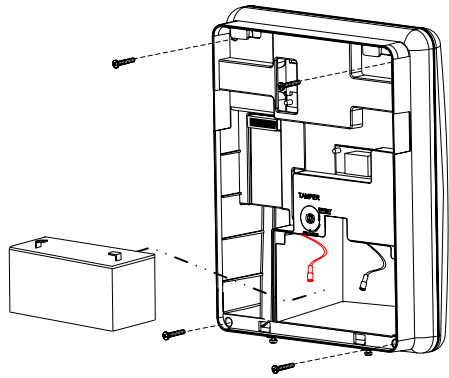
2



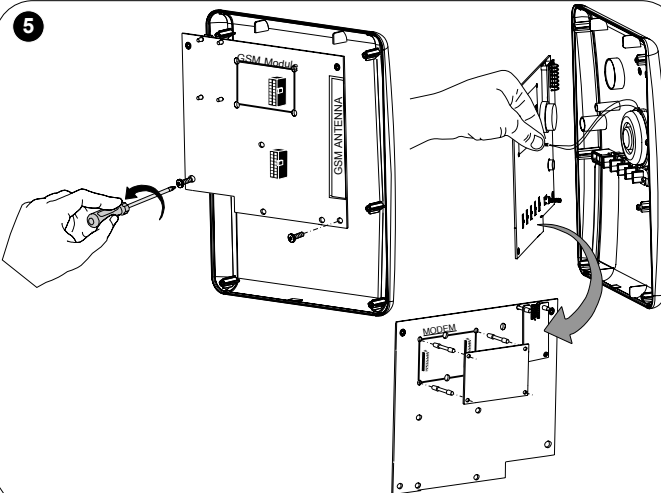
3



4



5



5.5-7.2 VDC



Standby: 20 mA

Comm.: 60 mA

← 77.6mm →

↓ 50mm ↑



-10°C > 60°C
(14°F > 140°F)



-40°C > 60°C
(-40°F > 140°F)



≤ 80%.

