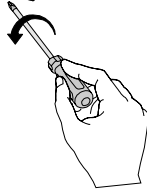
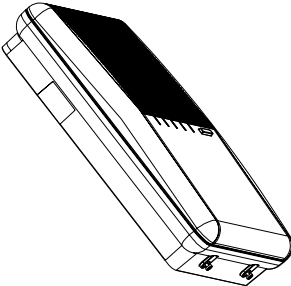
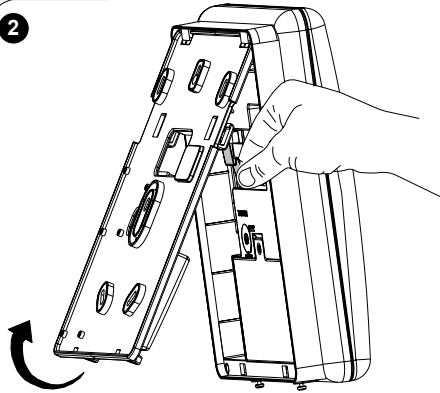


# GSM Module Installation

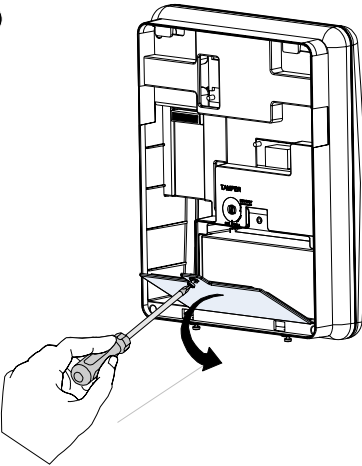
1



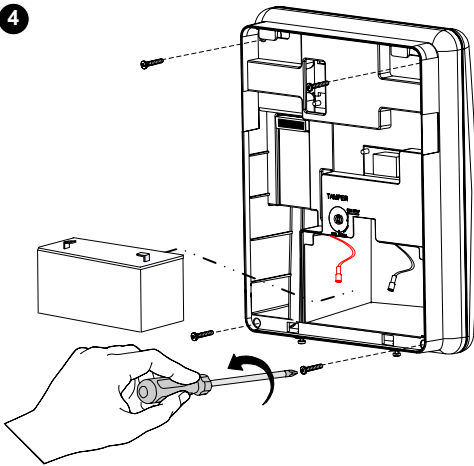
2



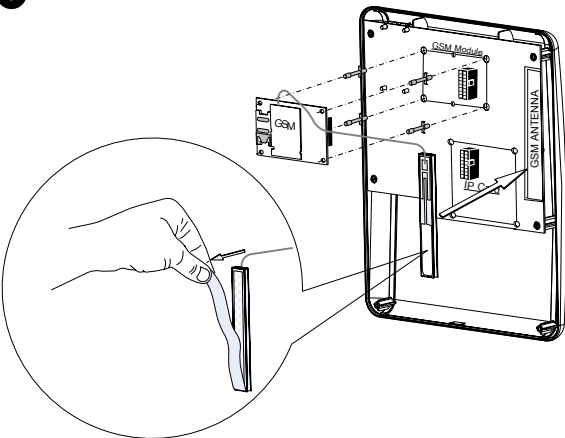
3



4

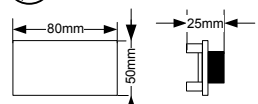


5



5.5-7.2 VDC

Standby: 35 mA  
Comm.: 300 mA



-10°C > 60°C  
(14°F > 140°F)

-40°C > 60°C  
(-40°F > 140°F)

≤ 80%

